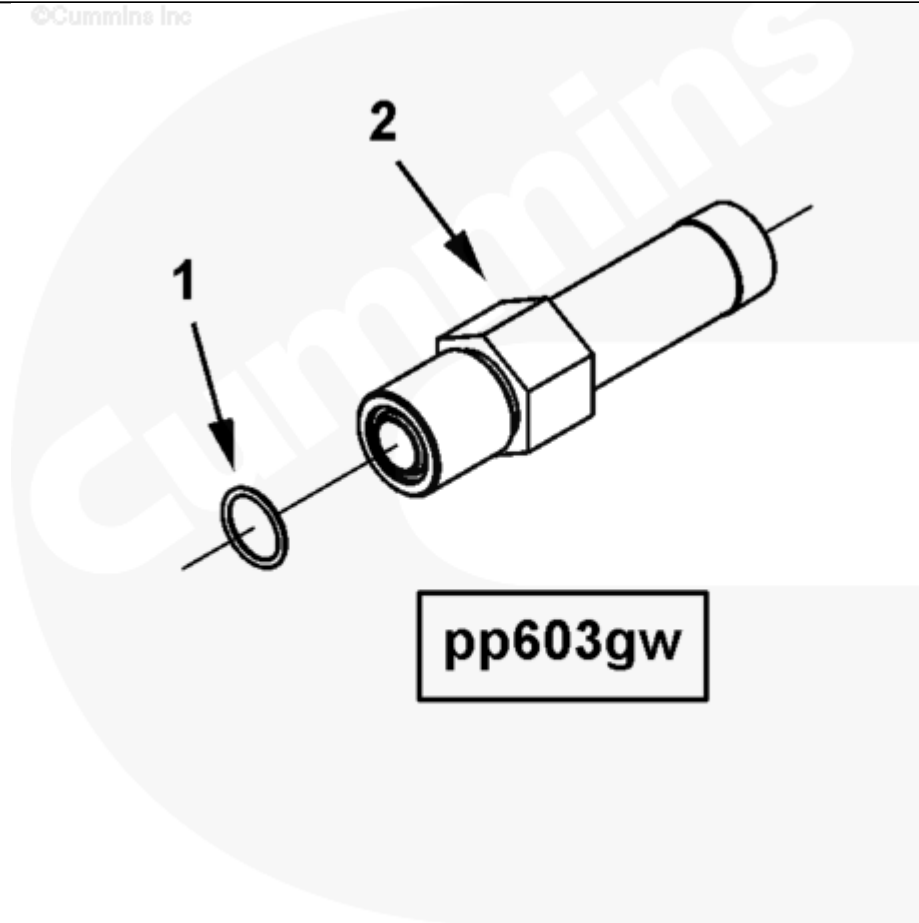




Parts Catalog - Option Detail

Electronic Parts Catalog - Option Detail				
Option	Group	Graphic	Film Card	Date
PP6818-01	01.04	pp603gw	K38	13-OCT-03
Engines	GTA38, K38, KTA38GC CM558, QSK38 CM2150 K106, QSK38 CM2150 MCRS, QSK38 CM850 MCRS			

©Cummins Inc



pp603gw

[SMALL](#) | [MEDIUM](#) | [LARGE](#)

Cart	Ref No	Part Number	Part Description	Required	Remarks
View My Cart					
		PP6818-01	Step Oil Supply Fitting		Fittings for dual raised STC...(More)
					oil supply.
					For Use With: A) SAE "00"
					flywheel housing, right bank

					mounted lube oil filters and
					left bank mounted starters or
					no starters. B) SAE "0"
					flywheel housing and left, or
					right bank mounted starters
					or no starters.
<input type="checkbox"/>		3630877	Male Union	2	
<input type="checkbox"/>	1	3630740	O-Ring Seal	1	
	2	3630878	Male Connector	1	

© 2019 Cummins Inc., Box 3005, Columbus, IN 47202-3005 U.S.A.
Terms of Use and Disclaimers | Recommended System Requirements
Need Assistance? Please click on the Contact Us button in the top right corner of any page.